




Parts List



Ultra[®] Max II

311363K
ENG

3300 psi (228 bar, 22.8 MPa) Maximum Working Pressure

Vac	Model	Lo-Boy	Hi-Boy
240 Europe 	695	255134	249663
	795		249666 253419
	795 Plus		256165
	1095		249667
	Mark V		249905
	Mark V Plus		256166
240 Europe Multi-cord 	695	255135	249668
	795		249671 253420
	1095		249672
	Mark V*		249907
240 Asia	695	255138	249681
	795		249683
	1095		249684
240 Australia/New Zealand (ANZ) 	695	255139	249685
	795	255140	249687
	1095		249688



Important Safety Instructions

Read all warnings and instructions in operations manual. Save these instructions.

PROVEN QUALITY. LEADING TECHNOLOGY.



HO03

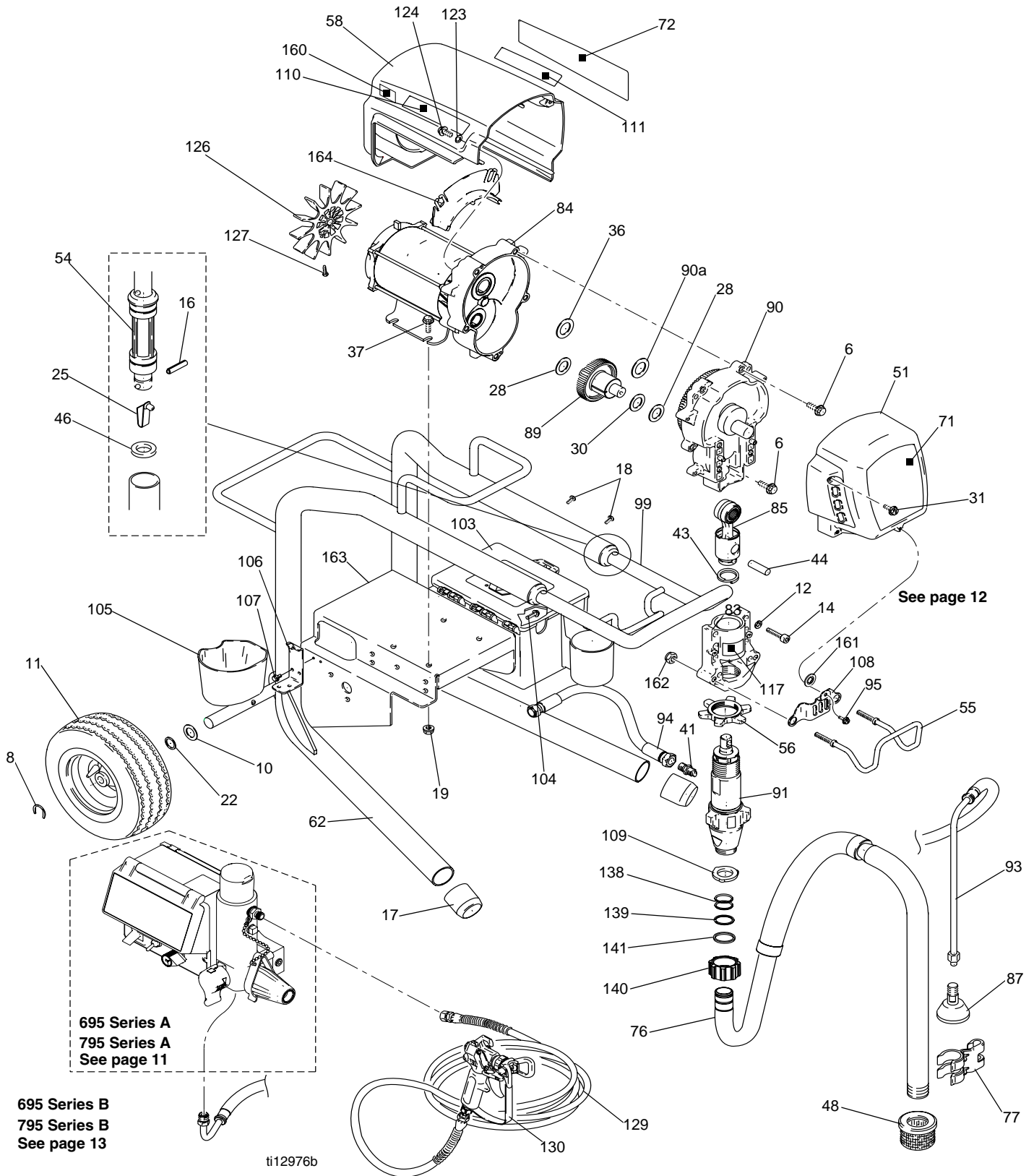
Parts List: Ultra Max II 695/795 Lo-Boy

Ref.	Part No.	Description	Qty.	Ref.	Part No.	Description	Qty.
6	15C753	SCREW, mach, torx, hex	5	89	287289	GEAR, combination; <i>includes 28, 30</i>	1
8	15E891	CLIP, retaining	2				
10	156306	WASHER, flat	2	90		HOUSING, drive, M1; <i>includes 6, 36, 90a</i>	1
11*	119420	WHEEL, pneumatic	2				
12	106115	WASH, lock, spring	4		287283	695	
14	107210	SCREW, cap, socket hd	4		287284	795	
16	101354	PIN, spring, straight	2	90a	107089	WASHER, thrust	1
17	15C871	CAP, leg	2	91	248204	PUMP, displacement 695; <i>includes 109, Manual 310643</i>	1
18	109032	SCREW, mach, pnh	4				
19	110838	NUT, lock	4	93	248217	HOSE, drain; <i>includes 87</i>	1
22	116038	WASHER, wave spring	2	94	15D049	HOSE, coupled, 1/4 x 15.75	1
23	110963	SCREW, cap, flng hd	2	95	114000	SCREW, control housing	1
25	112827	BUTTON, snap	2	99	288448	HANDLE, cart	1
28	114672	WASHER, thrust	2	103	287253	TOOL BOX; <i>includes 104</i>	1
30	114699	WASHER, thrust	1	104	118852	SCREW, machine, hex washer	3
31	118444	SCREW, machine, hex washer hd	4	105	276975	CUP, drain	1
36	116191	WASHER, thrust	1	106	15F952	BRACKET, drain cup	1
37	100057	SCREW, cap, hex hd	4	107	114423	SCREW, mach, hex hd	2
41	162453	FITTING, (1/4 NPSM x 1/4 NPT)	1	108	15C859	SHIELD, pump rod	1
43	176817	SPRING, retaining	1	109	115099	WASHER, garden hose	1
44	176818	PIN, str, hdls	1	110	16D585	LABEL, premium, sides	2
46	183350	WASHER	2	117	187436	LABEL, torque	1
48	189920	STRAINER, (1-11 1/2 NPSM)	1	123	276980	GROMMET, cover	2
51	287291	COVER, drive, plastic, painted; <i>includes 31, 95</i>	1	124	119250	SCREW, shoulder, hex washer	2
				126	15D088	FAN, motor	1
54	192027	SLEEVE, cart	2	127	115477	SCREW, mach, torx, pan hd	1
55	16C457	HANGER, pail	1	128▲	222385	TAG, WARNING (not shown)	1
56	192723	NUT, retaining	1	129	240794	HOSE, cpld, 1/4 in. x 60 ft	1
58		SHIELD, motor, painted; <i>includes 123, 124</i>	1	130		GUN Manual 309639	1
	287281	695			288475	Europe	
	287282	795			246220	ANZ	
					288427	Asia	
62	288898	FRAME, cart	1	138	117559	O-RING	2
71		LABEL, UltraMax II 695/795	1	139	118505	RING, retaining, external	1
	15K374	695		140	15C980	NUT, jam	1
	15D068	795		141	15C981	WASHER, suction swivel	1
72		LABEL, UltraMax II 695/795	1	160	15Y118	LABEL, Made In The USA	1
	15K381	695		161	124172	WASHER, retaining, nylon	1
	15D069	795		162	112746	NUT, hex	2
76	248216	HOSE, suction; <i>includes 109, 138, 139, 140, 141</i>	1	163	288899	SHELF, PEM assembly	1
77	15D000	CLIP, drain line	1	164	278075	BAFFLE	1
83	240523	HOUSING, bearing; <i>includes 162, 55</i>	1	170▲	243301	LABEL, set, stpro, int'l	1
84		MOTOR, electric	1	172	238358	HOSE, cpld, 3/16 in. x 3 ft	1
	287241	695 Series A					
	257185	695 Series B					
	287242	795 Series A					
	257186	795 Series B					
85	241008	ROD, connecting; <i>includes 43</i>	1				
87	241920	DEFLECTOR, threaded	1				

* 253132 KIT, repair, tube, 11 in.

▲ Extra Danger & Warning tags & labels available free.

Parts Drawing: 695/795 Lo-Boy



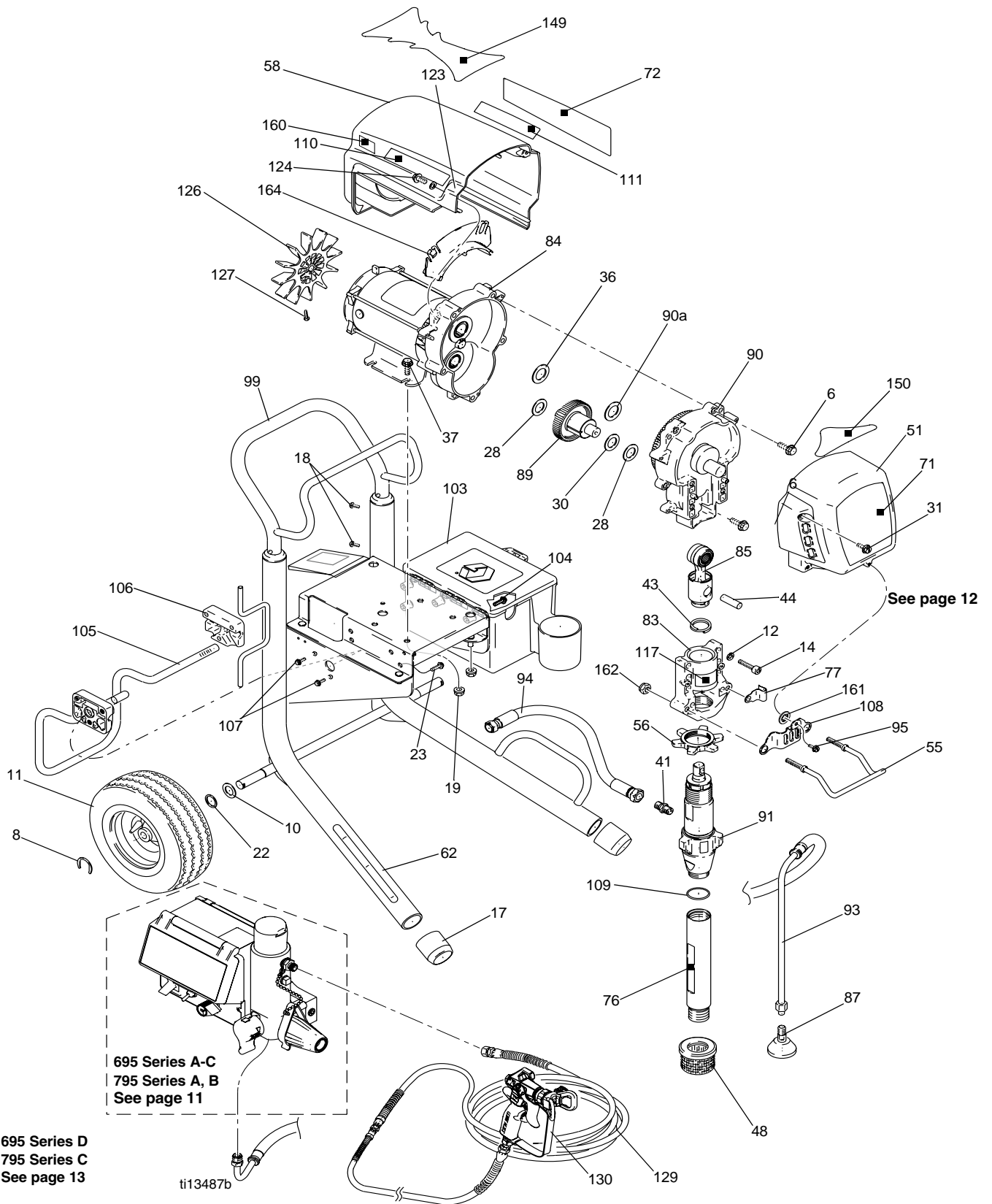
Parts List: Ultra Max II 695/795 Hi-Boy

Ref.	Part No.	Description	Qty.	Ref.	Part No.	Description	Qty.
6	15C753	SCREW, mach, torx, hex	5	89	287289	GEAR, combination; <i>includes 28, 30</i>	1
8	15E891	CLIP, retaining	2				
10	156306	WASHER, flat	2	90		HOUSING, drive, M1; <i>includes 6, 36, 90a</i>	1
11*	119420	WHEEL, pneumatic	2				
12	106115	WASH, lock, spring	4		287283	695	
14	107210	SCREW, cap, socket hd	4		287284	795	
17	15C871	CAP, leg	2	90a	107089	WASHER, thrust	1
18	109032	SCREW, mach, pnh	4	91	248204	PUMP, displacement 695/795; <i>includes 109, Manual 310643</i>	1
19	112746	NUT, lock, nylon, thin	8				
22	116038	WASHER, wave spring	2	93	244240	HOSE, coupled; <i>includes 87</i>	1
23	110963	SCREW, cap, flng hd	2	94	15D049	HOSE, coupled, 1/4 x 15.75	1
28	114672	WASHER, thrust	2	95	114000	SCREW, control housing	1
30	114699	WASHER, thrust	1	99	287489	HANDLE, assy, hi cart	1
31	118444	SCREW, machine, hex washer hd	4	103	287253	TOOLBOX; includes 104	1
36	116191	WASHER, thrust	1	104	118852	SCREW, hex washer hd	3
37	100057	SCREW, cap, hex hd	4	105	15D281	HANGER, stand, cart	1
41	162453	FITTING, (1/4 NPSM x 1/4 NPT)	1	106	15C982	CAM, cart	2
43	176817	SPRING, retaining	1	107	114531	SCREW, mach, hex washer	4
44	176818	PIN, str, hdls	1	108	15C859	SHIELD, pump rod	1
48	189920	STRAINER, (1-11 1/2 NPSM)	1	109	118494	PACKING, o-ring	1
51	287291	COVER, drive, plastic, painted; <i>includes 31, 95</i>	1	110	16D585	LABEL, premium, sides	2
				117	187436	LABEL, torque	1
55	16C457	HANGER, pail	1	123	276980	GROMMET, cover	2
56	192723	NUT, retaining	1	124	119250	SCREW, shoulder, hex, washer	2
58		SHIELD, motor, painted; <i>includes 123, 124</i>	1	126	15D088	FAN, motor	1
	287281	695		127	115477	SCREW, mach, torx, pan, hd	1
	287282	795		128▲	222385	TAG, WARNING (not shown)	1
62	288605	FRAME, cart	1	129	240794	HOSE, cpld, 1/4 in. x 50 ft	1
71		LABEL, UltraMax II 695/795	1	130		GUN (Manual 309639)	1
	15K374	695			288475	Europe	
	15D068	795			246220	ANZ	
	15T428	795 Plus	1		288427	Asia	
72		LABEL, UltraMax II 695/795	1	149	15T569	LABEL, shroud top	1
	15K381	695		150	15T570	LABEL, crown	1
	15D069	795		160	15Y118	LABEL, Made In The USA	1
	15T429	795 Plus	1	161	124172	WASHER, retaining, nylon 10-32	1
76	248214	TUBE, intake; <i>includes 109</i>	1	162	112746	NUT, hex	2
77	278204	CLIP, drain line	1	163	288899	SHELF, PEM, assy	1
83	240523	HOUSING, bearing; <i>includes 55, 162</i>	1	164	278075	BAFFLE	1
84		MOTOR, electric	1	170▲	243301	LABEL, set, stpro, int'l	1
	287241	695 Series A - C		172	238358	HOSE, cpld, 3/16 in. x 3 ft	1
	257185	695 Series D					
	287242	795 Series A, B					
	257186	795 Series C					
85	241008	ROD, connecting; <i>includes 43</i>	1				
87	241920	DEFLECTOR, threaded	1				

* 253132 KIT, repair, tube, 11 in.

▲ Extra Danger & Warning tags & labels available free.

Parts Drawing: 695/795 Hi-Boy



695 Series D
795 Series C
See page 13

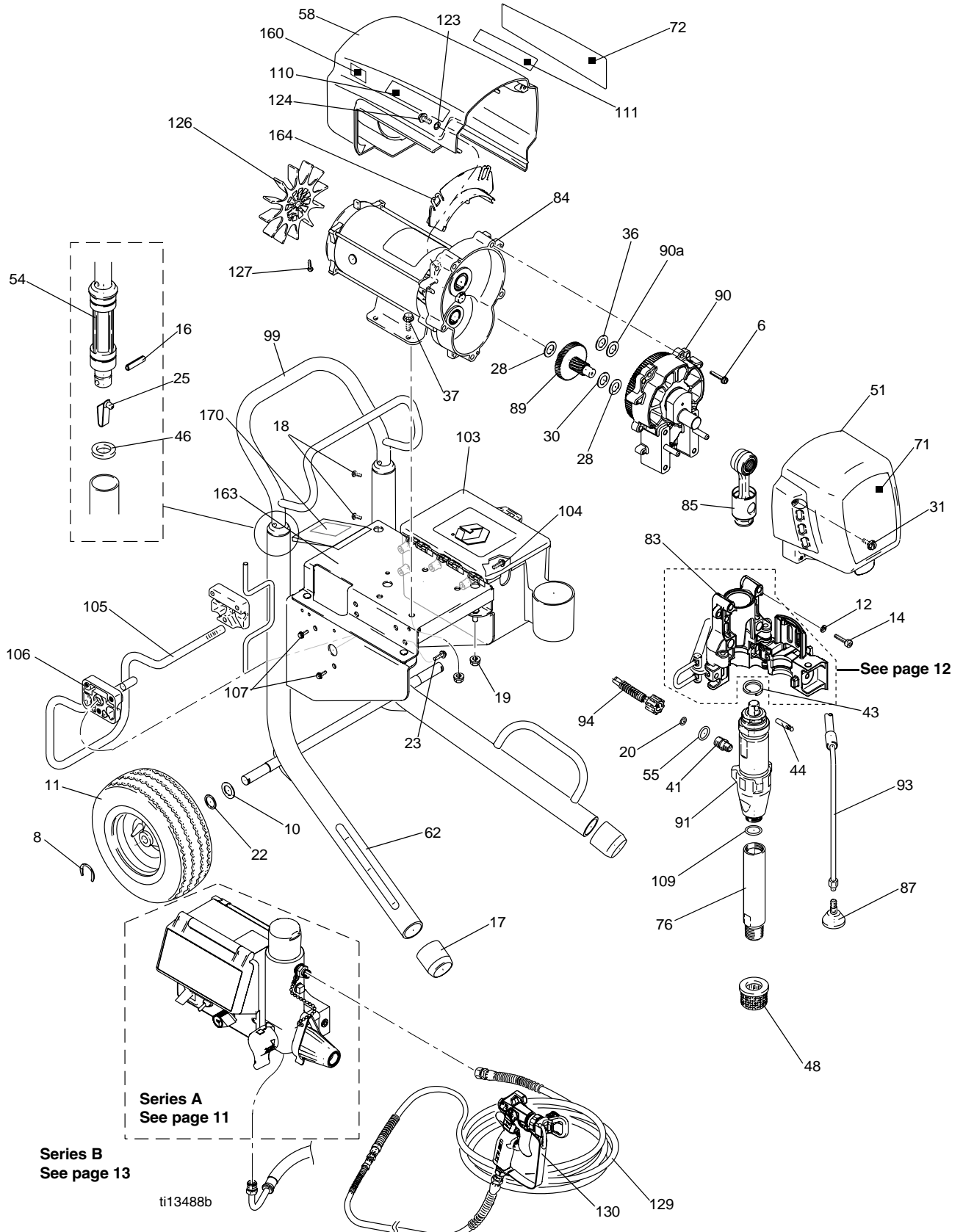
Parts List: UltraMax II 1095

Ref.	Part No.	Description	Qty.	Ref.	Part No.	Description	Qty.
6	15C753	SCREW, mach, torx, hex	5	89	287290	GEAR, combination; <i>includes 28, 30</i>	1
8	15E891	CLIP, retaining	2	90	287295	HOUSING, drive, M1; <i>includes 6, 36, 90a</i>	1
10	156306	WASHER, flat	2	90a	114671	WASHER, thrust	1
11*	119509	WHEEL, pneumatic	2	91	287513	PUMP, displacement; <i>includes 41, 76, 109, Manual 310894</i>	1
12	106115	WASH, lock, spring	4	93	287952	HOSE, drain; <i>includes 87</i>	1
14	114666	SCREW, cap, socket hd	4	94	287803	HOSE, coupled	1
16	101354	PIN, spring, straight	2	99	245245	HANDLE, cart	1
17	276974	CAP, leg	2	103	287253	TOOLBOX; <i>includes 104</i>	1
18	108795	SCREW, mach, pnh	4	104	118852	SCREW, hex washer hd	3
19	110838	NUT, lock	8	105	15C858	HANGER, stand, cart	1
22	116038	WASHER, wave spring	2	106	15C982	CAM, cart	2
23	110963	SCREW, cap, flng hd	2	107	114531	SCREW, mach, hex washer	4
25	112827	BUTTON, snap	2	109	118494	PACKING, o-ring	1
28	114672	WASHER, thrust	2	110	16D585	LABEL, premium, sides	2
30	114699	WASHER, thrust	1	123	276980	GROMMET, cover	2
31	118444	SCREW, machine, hex washer hd	4	124	119250	SCREW, shoulder, hex, washer	3
36	116192	WASHER, thrust	1	126	15D088	FAN, motor	1
37	100057	SCREW, cap, hex hd	4	127	115477	SCREW, mach, torx, pan, hd	1
41	15E802	FITTING, pump, quick disc	1	128▲	222385	TAG, WARNING (not shown)	1
43	119778	SPRING, retaining	1	129	240794	HOSE, cpld, 1/4 in. x 50 ft	1
44	15F110	PIN, pump	1	130		GUN Manual 309639	1
46	183350	WASHER	2		288475	Europe	
48	189920	STRAINER, (1-11 1/2 NPSM)	1		246220	ANZ	
51	287292	COVER, drive, plastic, painted; <i>includes 31</i>	1		288427	Asia	
54	187604	SLEEVE, cart	2	160	15Y118	LABEL, Made In The USA	1
55	119790	PACKING, o-ring	1	163	288899	SHELF, PEM, assy	1
58	287282	SHIELD, motor, painted; <i>includes 123, 124</i>	1	164	278075	BAFFLE	1
62	288663	FRAME, cart 1095	1	170▲	243301	LABEL, set, stpro, int'l	1
71	15D071	LABEL, UltraMax II 1095	1	172	238358	HOSE, cpld, 3/16 in. x 3 ft	1
72	15D072	LABEL, UltraMax II 1095	1				
76	248215	TUBE, intake; <i>includes 109</i>	1				
83	287933	HOUSING, bearing	1				
84		MOTOR, electric; <i>includes 126, 127</i>	1				
	287243	Series A					
	257187	Series B					
85	287472	ROD, connecting; <i>includes 43, 44</i>	1				
87	241920	DEFLECTOR, threaded	1				

* 253131 KIT, repair, tube, 13 in.

▲ Extra Danger & Warning tags & labels available free.

Parts Drawing: UltraMax II 1095



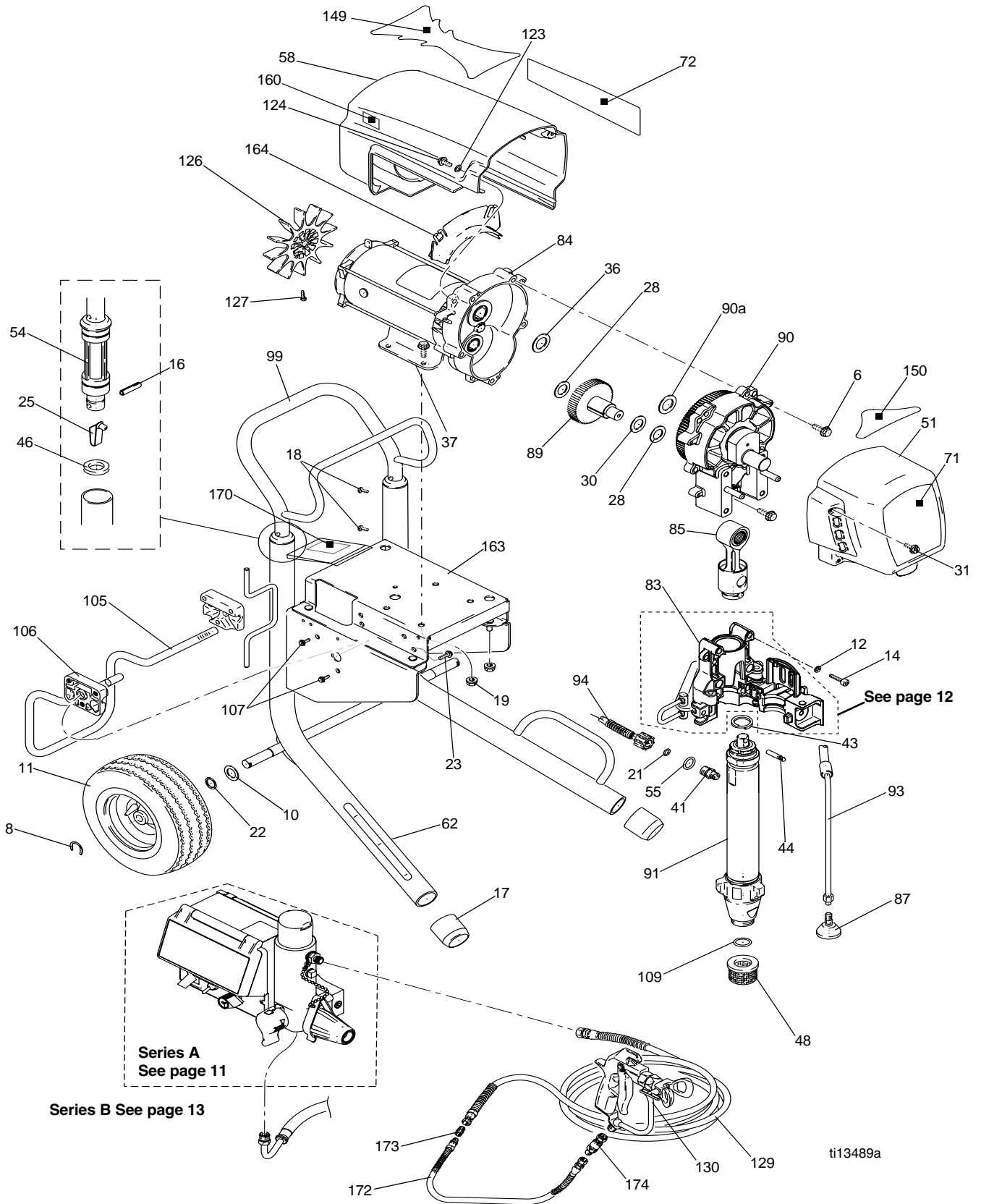
Parts List: UltraMax II Mark V

Ref.	Part No.	Description	Qty.	Ref.	Part No.	Description	Qty.
6	15C753	SCREW, mach, torx, hex	5	85	287472	ROD, connecting; <i>includes 43, 44</i>	1
8	15E891	CLIP, retaining	2	87	241920	DEFLECTOR, threaded	1
10	156306	WASHER, flat	2	89	287290	GEAR, combination; <i>includes 28, 30</i>	1
11*	119509	WHEEL, pneumatic	2	90	287295	HOUSING, drive, M1; <i>includes 6, 36, 90a</i>	1
12	106115	WASH, lock, spring	4	90a	114671	WASHER, thrust	1
14	114666	SCREW, cap, socket hd	4	91	287928	PUMP, displacement; <i>includes 41, 109, Manual 310894</i>	1
16	101354	PIN, spring, straight	2	93	287952	HOSE, drain; <i>includes 87</i>	1
17	276974	CAP, leg	2	94	288659	HOSE, coupled	1
18	108795	SCREW, mach, pnh	4	99	245245	HANDLE, cart	1
19	110838	NUT, lock	8	103	287253	TOOLBOX; <i>includes 104</i>	1
21	109450	O-RING	1	104	118852	SCREW, hex washer hd	3
22	116038	WASHER, wave spring	2	105	15C858	HANGER, stand, cart	1
23	110963	SCREW, cap, flng hd	2	106	15C982	CAM, cart	2
25	112827	BUTTON, snap	2	107	114531	SCREW, mach, hex washer	4
28	114672	WASHER, thrust	2	123	276980	GROMMET, cover	2
30	114699	WASHER, thrust	1	124	119250	SCREW, shoulder, hex, washer	3
31	118444	SCREW, machine, hex washer hd	4	126	15D088	FAN, motor	1
36	116192	WASHER, thrust	1	127	115477	SCREW, mach, torx, pan, hd	1
37	100057	SCREW, cap, hex hd	4	128▲	222385	TAG, WARNING (not shown)	1
41	15G880	FITTING, pump, quick disc	1	129	240797	HOSE, cpld, 3/8 in. x 50 ft	1
43	119778	SPRING, retaining	1	130	241705	GUN, spray, texture	1
44	15F110	PIN, pump	1	149	15T569	LABEL, shroud top	1
46	183350	WASHER	2	150	15T570	LABEL, crown	1
48	189920	STRAINER, (1-11 1/2 NPSM)	1	160	15Y118	LABEL, Made In The USA	1
51	287292	COVER, drive, plastic, painted; <i>includes 31</i>	1	163	288899	SHELF, PEM, assy	1
54	187604	SLEEVE, cart	2	164	278075	BAFFLE	1
55	C20195	PACKING, o-ring	1	170▲	243301	LABEL, set, stpro, int'l	1
58	287282	SHIELD, motor, painted; <i>includes 123, 124</i>	1	172	241735	HOSE, cpld, 1/4 in. x 3 ft	1
62	288663	FRAME, cart	1	173	159841	ADAPTER, 1/4 npt (f) x 3/8 npt (m)	1
71	15F117	LABEL, Mark V	1	174	189018	SWIVEL, 1/4 npsm (f) x 1/4 npsm (m)	1
	15T430	LABEL, Mark V Plus	1				
72	15F118	LABEL, Mark V	1				
	15T431	LABEL, Mark V Plus	1				
83	287933	HOUSING, bearing	1				
84		MOTOR, electric; <i>includes 126, 127</i>	1				
	287243	Series A					
	257187	Series B					

* 253131 KIT, repair, tube, 13 in.

▲ Extra Danger & Warning tags & labels available free.

Parts Drawing: UltraMax II Mark V



Parts List - Sprayer

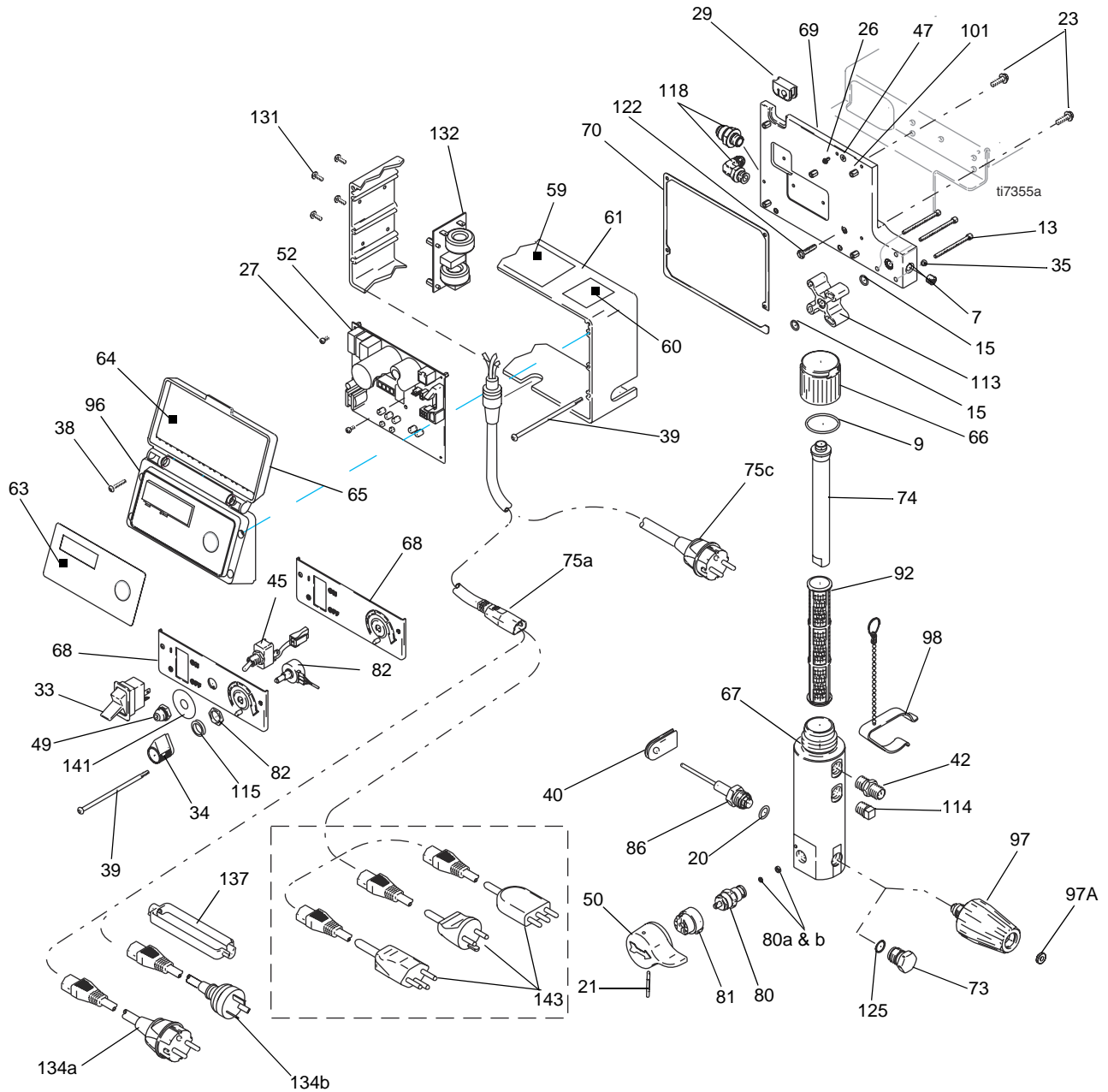
**UltraMax II: 695/795 Lo-Boy Series A; 695 Hi-Boy Series A - C;
795 Hi-Boy Series A, B; 1095 Series A; Mark V Series A
(Models with only TWO large capacitors on control board)**

Ref.	Part No.	Description	Qty.	Ref.	Part No.	Description	Qty.
7	100721	PLUG, pipe	1	75c	15D528	Europe CEE/7	
9	117285	PACKING, o-ring	1	80	235014	VALVE, prime; includes 80a, 80b	1
13	C19817	SCREW, cap, socket	3	80a	111699	GASKET, seat, valve	
15	107505	PACKING, o-ring	2	80b	15E022	SEAT, valve	
20	111457	PACKING, o-ring	2	81	224807	BASE, valve	1
21	15C972	PIN, grooved	1	82	256219	POTENTIOMETER, adjustment	1
23	110963	SCREW, cap, flng	2	86	243222	TRANSDUCER, pressure control; <i>includes 20</i>	1
26	114391	SCREW, grounding	1	92		FILTER, fluid	1
27	113045	SCREW, sems, mach, phillips	5		244071	30 mesh	
29	15D087	GROMMET	1		244067	60 mesh, original equipment	
33	15D527	SWITCH, rocker	1		244068	100 mesh	
34	116167	KNOB, potentiometer	1		244069	200 mesh	
35	105510	WASHER, lock, spring	3	96	287286	COVER, control, ultra; <i>includes 38,</i>	1
38	116252	SCREW, #10 taptite phillips	4			<i>63, 64, 65</i>	
39	112381	SCREW, mach, pan hd	4	97	287293	VALVE, Autoclean; <i>includes 97a</i>	1
40	15D033	GROMMET, transducer	1	97a	15F950	GASKET	1
42		NIPPLE, adapter	1	98	244346	KIT, repair, clamp, trigger	1
	164672	695, 795, 1095		101	15D160	STUD, board	5
	162485	Mark V		102	114420	SCREW, mach, pmh, sems	3
45	119541	SWITCH, toggle	1	113	15F844	SPACER, manifold	1
47	186620	LABEL, symbol, ground	1	114	104813	PLUG, pipe	1
49	195428	BOOT, toggle	1	115	15C973	GASKET	1
50	15C780	HANDLE	1	118	120185	FITTING, hydraulic; Mark V	1
52	287942	CONTROL, board; <i>includes 27, 102</i>	1		116793	FITTING, elbow, hydraulic; 695, 795, 1095	
59▲	243301	LABEL, warning	1	122	115478	SCREW, mach torx/slt	1
60▲	195793	LABEL, warning	1	125	15D541	SEAL, washer	1
61	15D431	BOX, control	1	131	119228	SCREW, mach flat hd	4
63	198648	LABEL, LCD	1	132	248220	FILTER, board	1
64	15D063	LABEL, instruction	1	134		CORD SET, ADAPTER	1
65	15D609	LABEL, ctrl, box cover	1	134a	242001	Europe Multicord and Asia	1
66	287285	CAP, filter; <i>includes 9, 74</i>	1	134b	242005	ANZ	
67	15C838	BASE, filter	1	137	195551	RETAINER, PLUG, ADAPTER, Europe Multicord, Asia & ANZ	1
68		PANEL, control	1	141▲	15G769	LABEL	1
	15G627	695, 795, 1095		143	287121	CORD SET, Italy, Denmark, Switzerland	1
	15C947	Mark V					
69	15C840	PLATE, power bar	1				
70	15D036	GASKET, control box	1				
73	248314	PLUG, Autoclean standard; <i>includes 125</i>					
74	15C766	TUBE, diffusion	1				
75		CORD, power	1				
75a	15D529	Europe Multicord, Asia & ANZ					

▲ Extra Danger and Warning tags and labels available free.

Parts Drawing - Sprayer

**UltraMax II: 695/795 Lo-Boy Series A; 695 Hi-Boy Series A - C;
795 Hi-Boy Series A, B; 1095 Series A; Mark V Series A
(Models with only TWO large capacitors on control board)**



Parts List - Sprayer

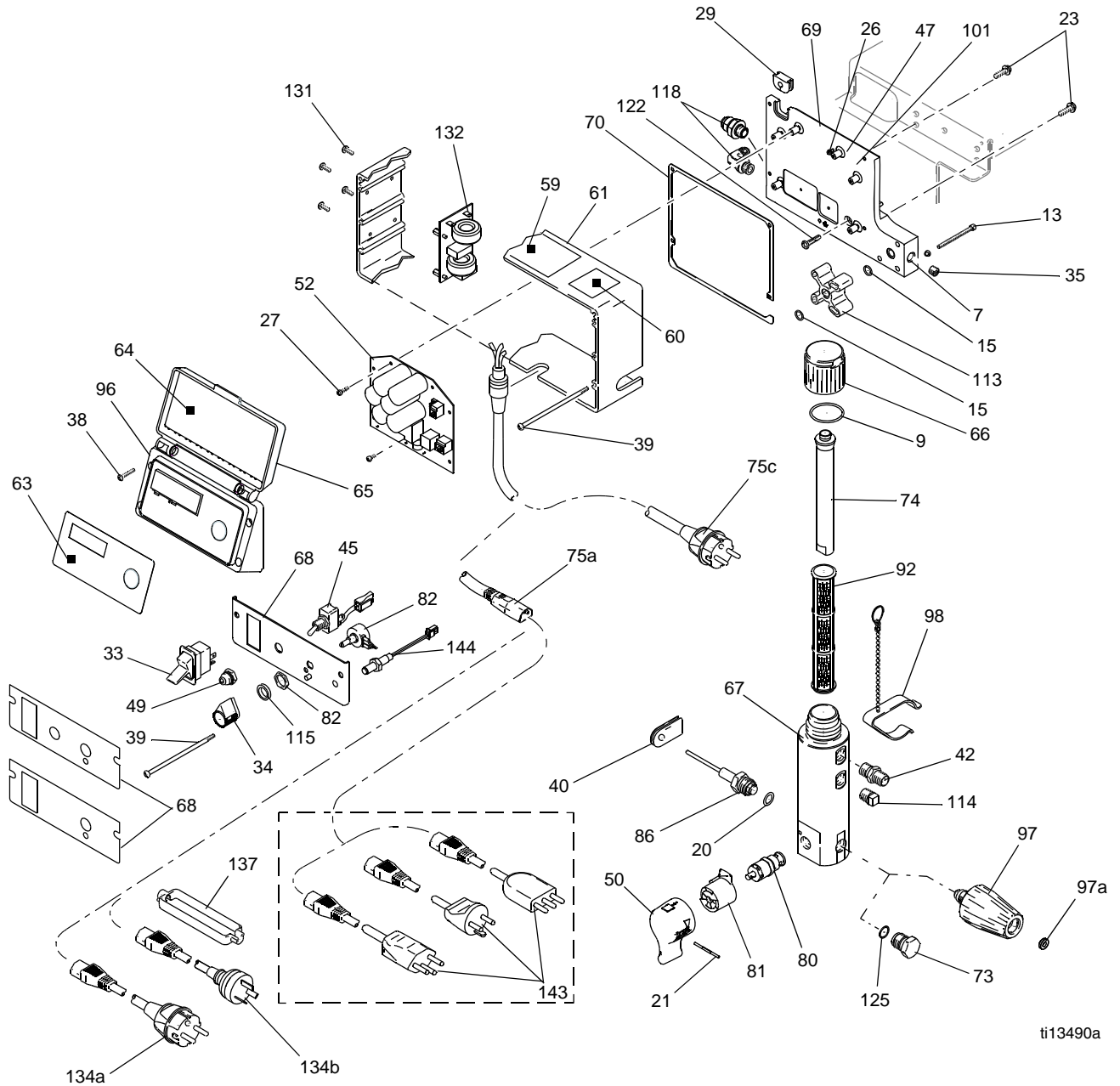
**UltraMax II: 695/795 Lo-Boy Series B; 695 Hi-Boy Series D;
795 Hi-Boy Series C; 1095/Mark V Series B
(Models with SIX large capacitors on control board)**

Ref.	Part No.	Description	Qty.	Ref.	Part No.	Description	Qty.
7	100721	PLUG, pipe	1	75		CORD, power	1
9	117285	PACKING, o-ring	1	75a	15D529	Europe Multicord, Asia & ANZ	
13	C19817	SCREW, cap, socket	3	75c	15D528	Europe CEE/7	
15	107505	PACKING, o-ring	2	80	24A381	VALVE, prime	1
20	111457	PACKING, o-ring	2	81	24A382	BASE, valve	1
21	15C972	PIN, grooved	1	82	256219	POTENTIOMETER, adjustment	1
23	110963	SCREW, cap, flng	2	86	243222	TRANSDUCER, pressure control; <i>includes 20</i>	1
26	114391	SCREW, grounding	1	92		FILTER, fluid	1
27	113045	SCREW, sems, mach, phillips	6		244071	30 mesh	
29	15V996	GROMMET	1		244067	60 mesh, original equipment	
33	15D527	SWITCH, rocker	1		244068	100 mesh	
34	116167	KNOB, potentiometer	1		244069	200 mesh	
35	105510	WASHER, lock, spring	3	96	287286	COVER, control, ultra; <i>includes 38,</i>	1
38	116252	SCREW, #10 taptite phillips	4			<i>63, 64, 65</i>	
39	112381	SCREW, mach, pan hd	4	97	287293	VALVE, Autoclean; <i>includes 97a</i>	1
40	15D033	GROMMET, transducer	1	97a	15F950	GASKET	1
42		NIPPLE, adapter	1	98	244346	KIT, repair, clamp, trigger	1
	164672	695, 795, 1095		101	15V938	STUD, board	6
	162485	Mark V		102	114420	SCREW, mach, pmh, sems	2
45	119541	SWITCH, toggle	1	113	15F844	SPACER, manifold	1
47	186620	LABEL, symbol, ground	1	114	104813	PLUG, pipe	1
49	195428	BOOT, toggle	1	115	15C973	GASKET	1
50	24B218	HANDLE	1	118	120185	FITTING, hydraulic; Mark V	1
52	257449	CONTROL, board; <i>includes 27, 102</i>	1		116793	FITTING, elbow, hydraulic; 695, 795, 1095	
59▲	243301	LABEL, warning	1	122	115478	SCREW, mach torx/slt	1
60▲	195793	LABEL, warning	1	125	15D541	SEAL, washer	1
61	15D431	BOX, control	1	131	119228	SCREW, mach flat hd	4
63	198648	LABEL, LCD	1	132	257905	FILTER, board	1
64	15D063	LABEL, instruction	1	134		CORD SET, ADAPTER	1
65	15D609	LABEL, ctrl, box cover	1	134a	242001	Europe Multicord and Asia	1
66	287285	CAP, filter; <i>includes 9, 74</i>	1	134b	242005	ANZ	
67	15C838	BASE, filter	1	137	195551	RETAINER, PLUG, ADAPTER, Europe Multicord, Asia & ANZ	1
68		PANEL, control	1	143	287121	CORD SET, Italy, Denmark, Switzerland	1
	15X617	Mark V panel, control		144	122507	Reed Switch	1
	15X902	Mark V Label					
	15X617	695, 795, 1095, 1595 panel, control					
	15X620	695, 795, 1095, 1595 Label					
69	15V937	PLATE, power bar	1				
70	15D036	GASKET, control box	1				
73	248314	PLUG, Autoclean standard; <i>includes 125</i>					
74	15C766	TUBE, diffusion	1				

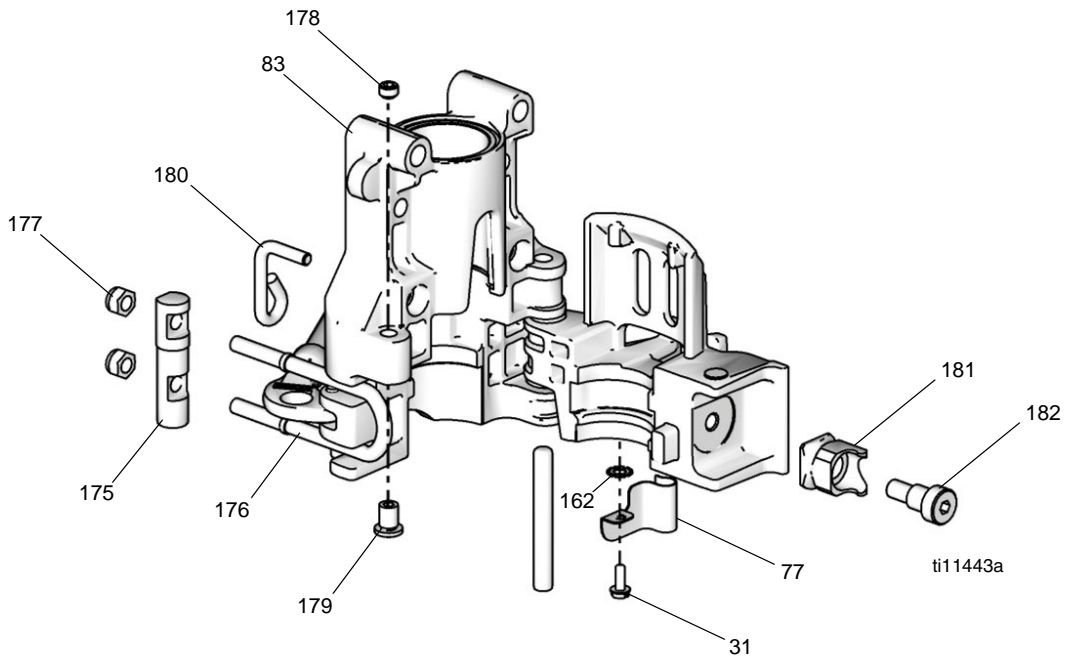
▲ Extra Danger and Warning tags and labels available free.

Parts Drawing - Sprayer

UltraMax II: 695/795 Lo-Boy Series B; 695 Hi-Boy Series D;
795 Hi-Boy Series C; 1095/Mark V Series B
(Models with SIX large capacitors on control board)



Parts Drawing - Bearing Housing

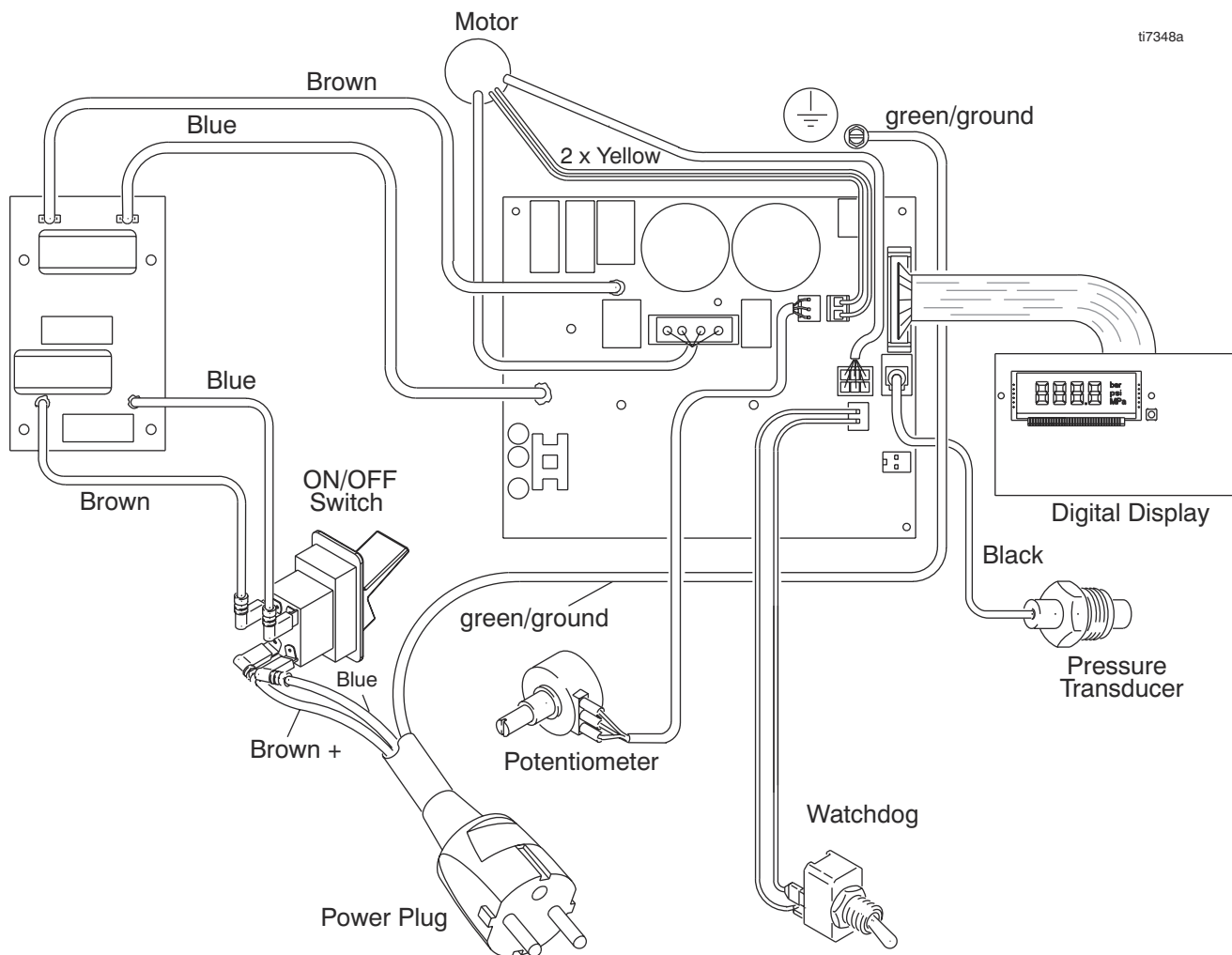


Parts List - Bearing Housing

Ref.	Part	Description	Qty.	Ref.	Part	Description	Qty.
83	240523	HOUSING, bearing (695/795)	1	177		NUT, lock hex	
	287933	KIT, bearing housing	1		102040	695	2
31	119250	SCREW, shoulder	1		111040	795/1095/Mark V	2
77	278204	CLIP, drain line	1	178	15F503	SCREW, set, socket hd	1
162	100985	WASHER, lock ext	1	179	15F498	SCREW, adjustment	1
175		PIN, housing, bearing		180	15F116	LATCH	1
	15E779	695	1	181	15G840	RECEIVER, latch (695)	1
	15E625	795/1095/Mark V	1		15G584	RECEIVER, latch	1
176		LATCH, housing, bearing				(795/1095/Mark V)	
	15G930	695	1	182	108859	SCREW, shoulder, sch (695)	1
	15G890	795/1095/Mark V	1		116942	SCREW, shoulder, sch	1
						(795/1095/Mark V)	

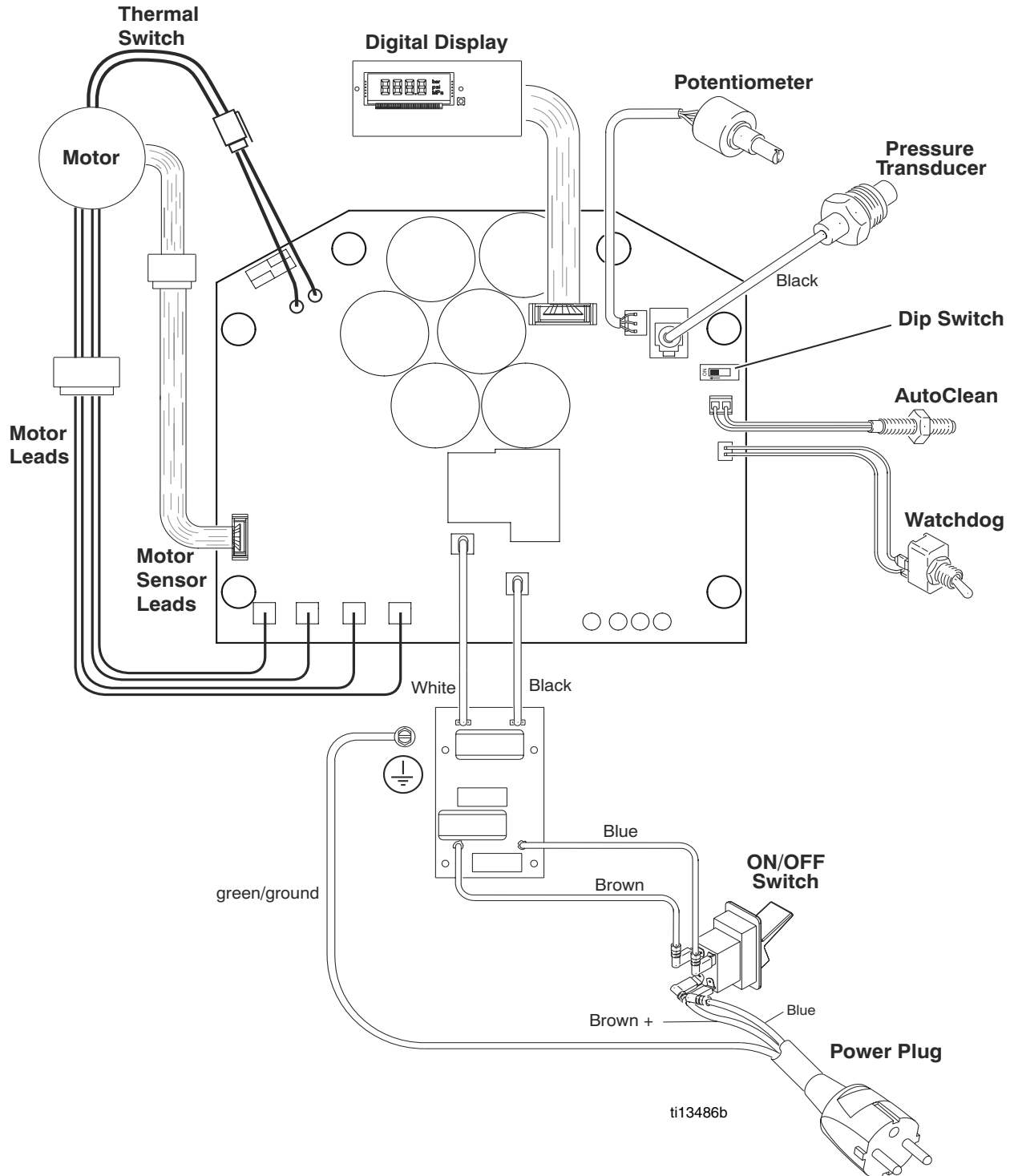
Wiring Diagram

**UltraMax II: 695/795 Lo-Boy Series A; 695 Hi-Boy Series A - C;
795 Hi-Boy Series A, B; 1095 Series A; Mark V Series A
(Models with only TWO large capacitors on control board)**



Wiring Diagram

UltraMax II: 695/795 Lo-Boy Series B; 695 Hi-Boy Series D;
795 Hi-Boy Series C; 1095/Mark V Series B
(Models with SIX large capacitors on control board)



Graco Standard Warranty

Graco warrants all equipment referenced in this document which is manufactured by Graco and bearing its name to be free from defects in material and workmanship on the date of sale to the original purchaser for use. With the exception of any special, extended, or limited warranty published by Graco, Graco will, for a period of twelve months from the date of sale, repair or replace any part of the equipment determined by Graco to be defective. This warranty applies only when the equipment is installed, operated and maintained in accordance with Graco's written recommendations.

This warranty does not cover, and Graco shall not be liable for general wear and tear, or any malfunction, damage or wear caused by faulty installation, misapplication, abrasion, corrosion, inadequate or improper maintenance, negligence, accident, tampering, or substitution of non-Graco component parts. Nor shall Graco be liable for malfunction, damage or wear caused by the incompatibility of Graco equipment with structures, accessories, equipment or materials not supplied by Graco, or the improper design, manufacture, installation, operation or maintenance of structures, accessories, equipment or materials not supplied by Graco.

This warranty is conditioned upon the prepaid return of the equipment claimed to be defective to an authorized Graco distributor for verification of the claimed defect. If the claimed defect is verified, Graco will repair or replace free of charge any defective parts. The equipment will be returned to the original purchaser transportation prepaid. If inspection of the equipment does not disclose any defect in material or workmanship, repairs will be made at a reasonable charge, which charges may include the costs of parts, labor, and transportation.

THIS WARRANTY IS EXCLUSIVE, AND IS IN LIEU OF ANY OTHER WARRANTIES, EXPRESS OR IMPLIED, INCLUDING BUT NOT LIMITED TO WARRANTY OF MERCHANTABILITY OR WARRANTY OF FITNESS FOR A PARTICULAR PURPOSE.

Graco's sole obligation and buyer's sole remedy for any breach of warranty shall be as set forth above. The buyer agrees that no other remedy (including, but not limited to, incidental or consequential damages for lost profits, lost sales, injury to person or property, or any other incidental or consequential loss) shall be available. Any action for breach of warranty must be brought within two (2) years of the date of sale.

GRACO MAKES NO WARRANTY, AND DISCLAIMS ALL IMPLIED WARRANTIES OF MERCHANTABILITY AND FITNESS FOR A PARTICULAR PURPOSE, IN CONNECTION WITH ACCESSORIES, EQUIPMENT, MATERIALS OR COMPONENTS SOLD BUT NOT MANUFACTURED BY GRACO. These items sold, but not manufactured by Graco (such as electric motors, switches, hose, etc.), are subject to the warranty, if any, of their manufacturer. Graco will provide purchaser with reasonable assistance in making any claim for breach of these warranties.

In no event will Graco be liable for indirect, incidental, special or consequential damages resulting from Graco supplying equipment hereunder, or the furnishing, performance, or use of any products or other goods sold hereto, whether due to a breach of contract, breach of warranty, the negligence of Graco, or otherwise.

FOR GRACO CANADA CUSTOMERS

The Parties acknowledge that they have required that the present document, as well as all documents, notices and legal proceedings entered into, given or instituted pursuant hereto or relating directly or indirectly hereto, be drawn up in English. Les parties reconnaissent avoir convenu que la rédaction du présente document sera en Anglais, ainsi que tous documents, avis et procédures judiciaires exécutés, donnés ou intentés, à la suite de ou en rapport, directement ou indirectement, avec les procédures concernées.

Graco Information

For the latest information about Graco products, visit www.graco.com.

TO PLACE AN ORDER, contact your Graco distributor or call 1-800-690-2894 to identify the nearest distributor.

*All written and visual data contained in this document reflects the latest product information available at the time of publication.
Graco reserves the right to make changes at any time without notice.*

Original instructions. This manual contains English. MM 311363

Graco Headquarters: Minneapolis
International Offices: Belgium, China, Japan, Korea

GRACO INC. P.O. BOX 1441 MINNEAPOLIS, MN 55440-1441

Copyright 2005, Graco Inc. is registered to ISO 9001

www.graco.com
Revised 12/2010